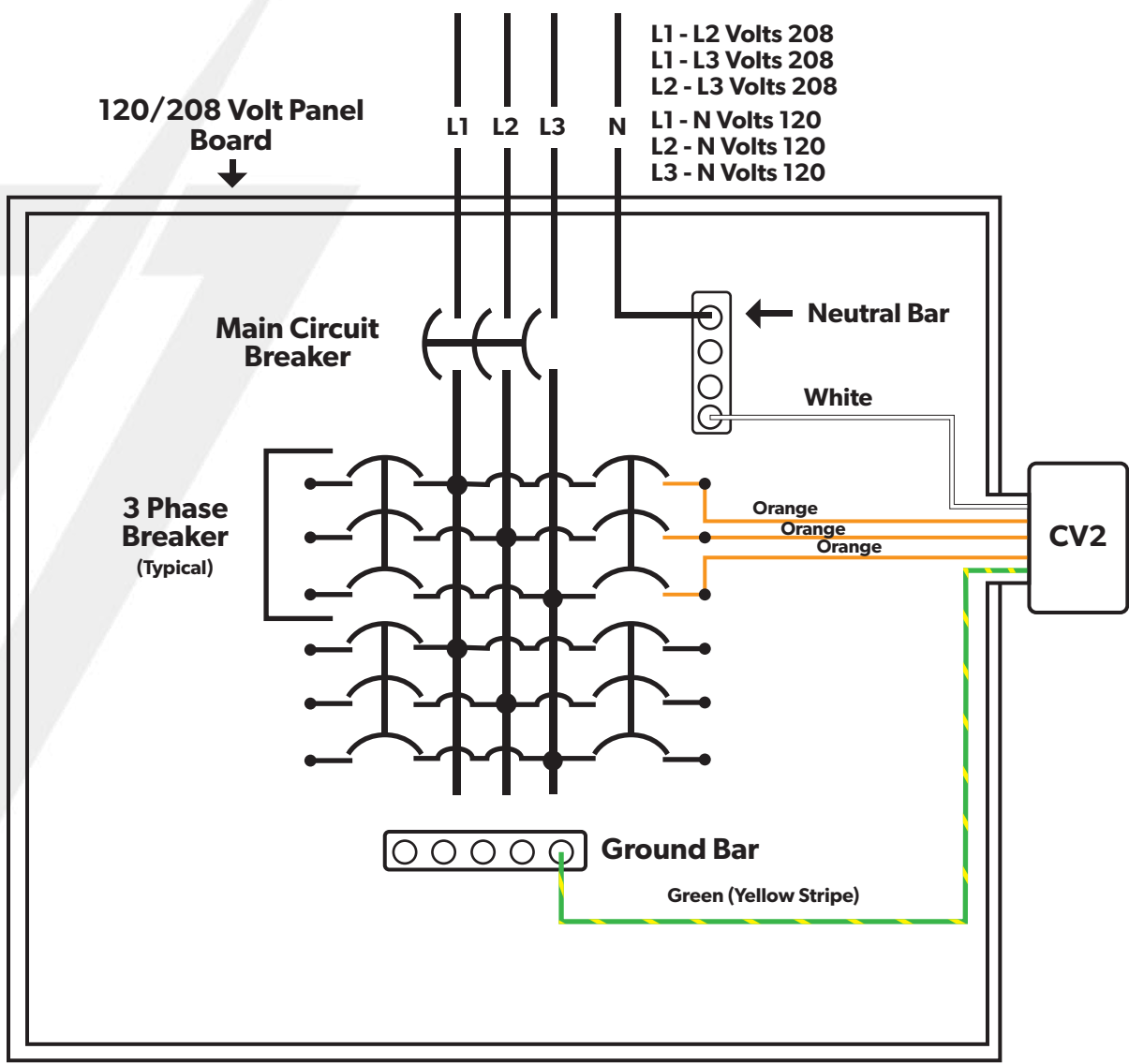


CV2



This is a typical installation schematic used for connection purposes. Installations may differ from location to location. Electrical installer should call 1-855-526-2765 with any questions regarding their particular situation should it be different from the one seen to the left.

Must be installed by a certified electrician

Use of inhibitor on all Clean~Volt connection points is considered good wiring practice.

Keep phase leads & neutral as short as possible at similar lengths.

DO NOT parallel unit with refrigeration unless alarm monitored.

Install unit with a full size 20 amp branch breaker.
 * When installing at main service be sure to Match KA rating of main overcurrent device to branch breaker being used for Clean~Volt install.

Green conductors (Yellow Stripe) are case ground for unit.

Chase nipple installation - 3/4" hole.
 Use proper punches when making hole.

*Remove non-ferrous chase nipple from unit. Use chase nipple to fasten securely to panel. It is best practice to use non-ferrous connecting materials if not using one supplied with Clean~Volt unit.

Installation wiring practice may vary. Check with your local Electrical Safety Authority. CALL 1-855-526-2765 with any questions concerning your particular Installation.

***Check your Ground resistance. Proper neutral/ground bonding required for main service entrance panels.